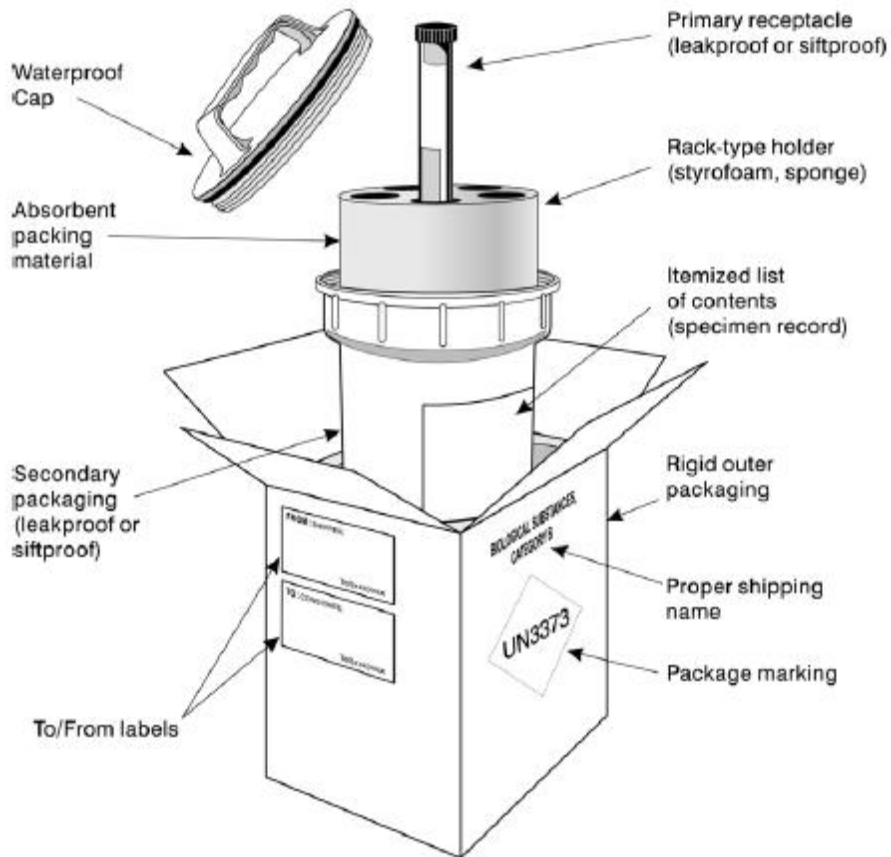


## Example of Packing and Marking for Category B Infectious Substances

(IATA packaging instruction 650 must be followed for UN3373 category B)

### Category B 感染性物質運送範例

(依據 IATA 650 UN3373 category B)



## Example of Packing and Marking for Category A Infectious Substances

(IATA packaging instruction 620 must be followed for UN2900 category A)

### Category A 感染性物質運送範例

(依據 IATA 620 UN2900 category A)

